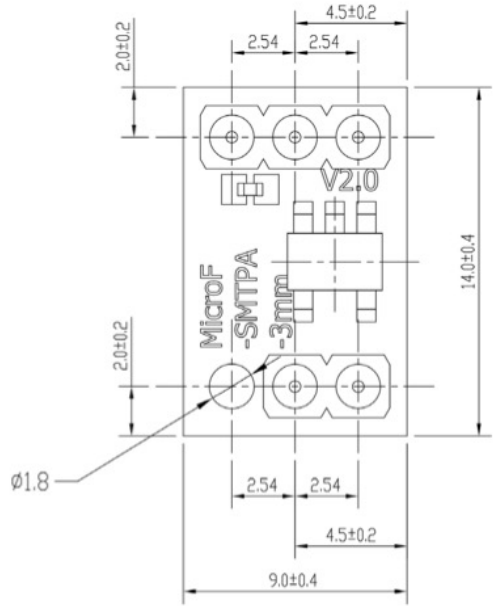
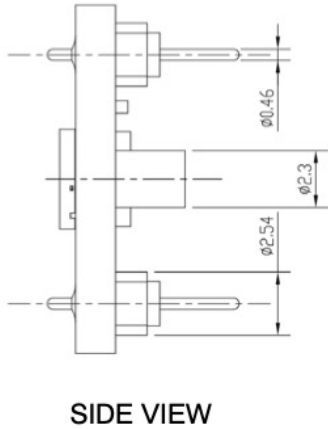
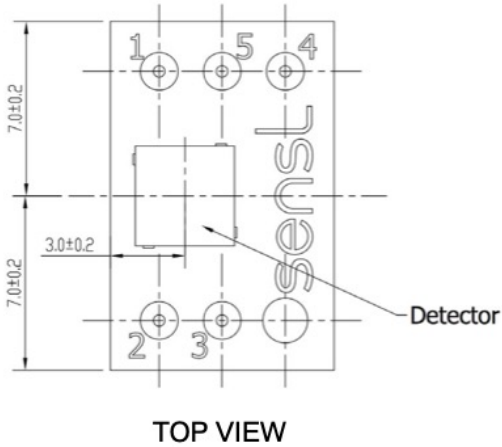
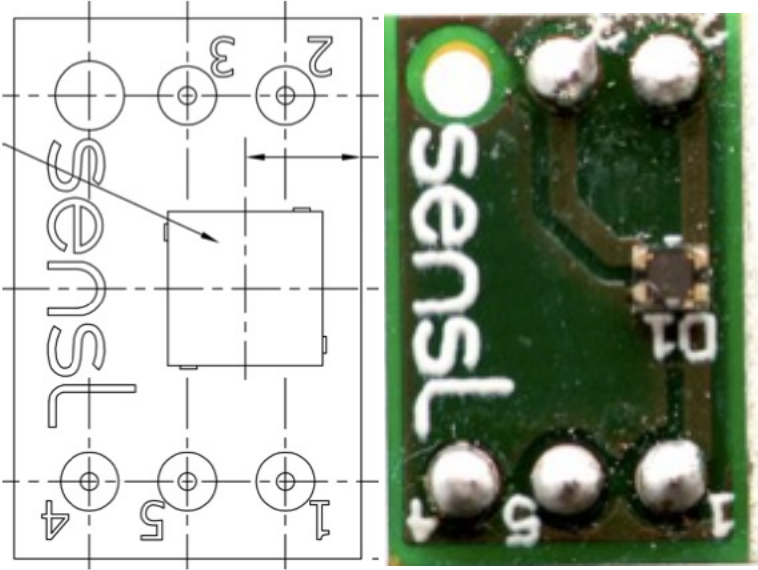


New SiPM module – connector required

New SENSL SMTPA-10035-GEVB

- Datasheet <https://www.onsemi.com/pdf/datasheet/microc-series-d.pdf>
- Schematics <https://www.onsemi.com/pub/Collateral/AND9809-D.PDF>



Pin No.	Connection
1	Anode
2	Fast output
3	Cathode
4	Ground
5	No connect

